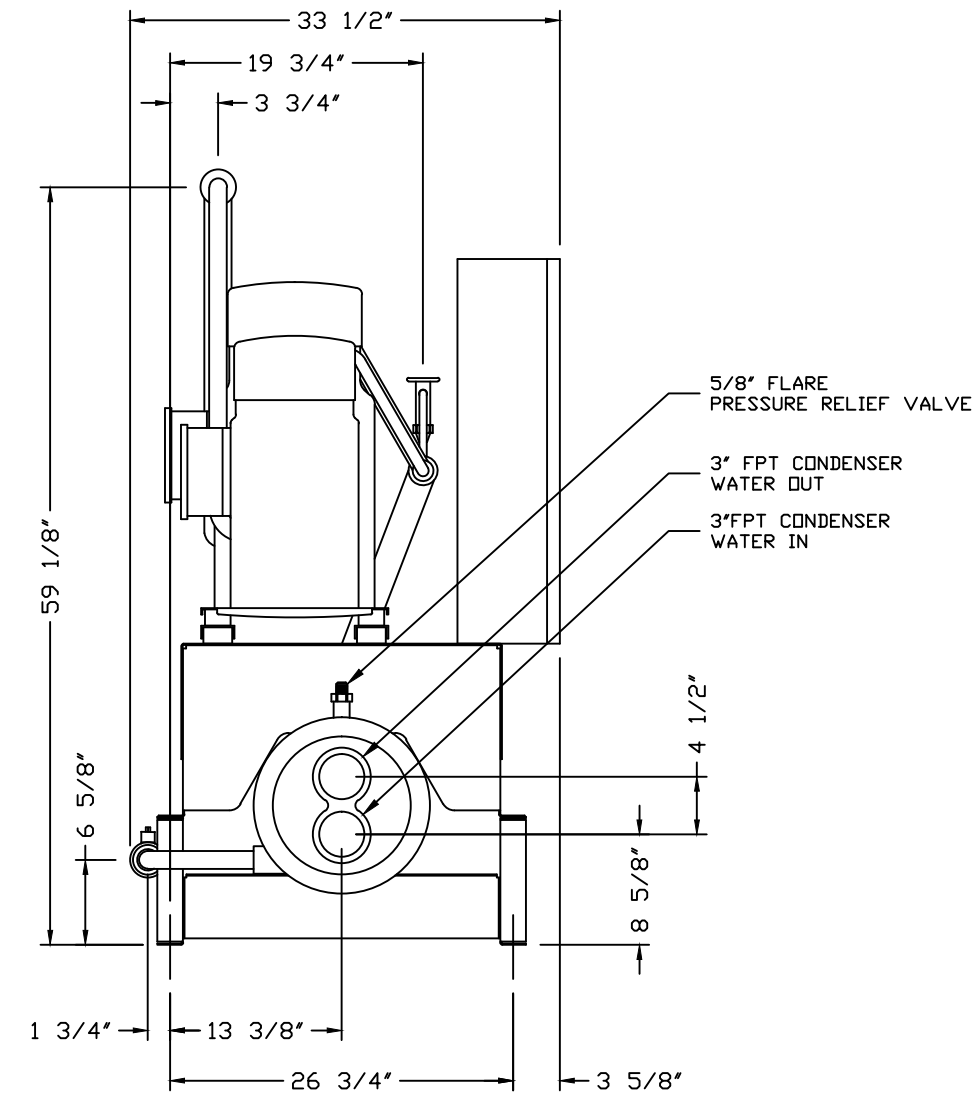
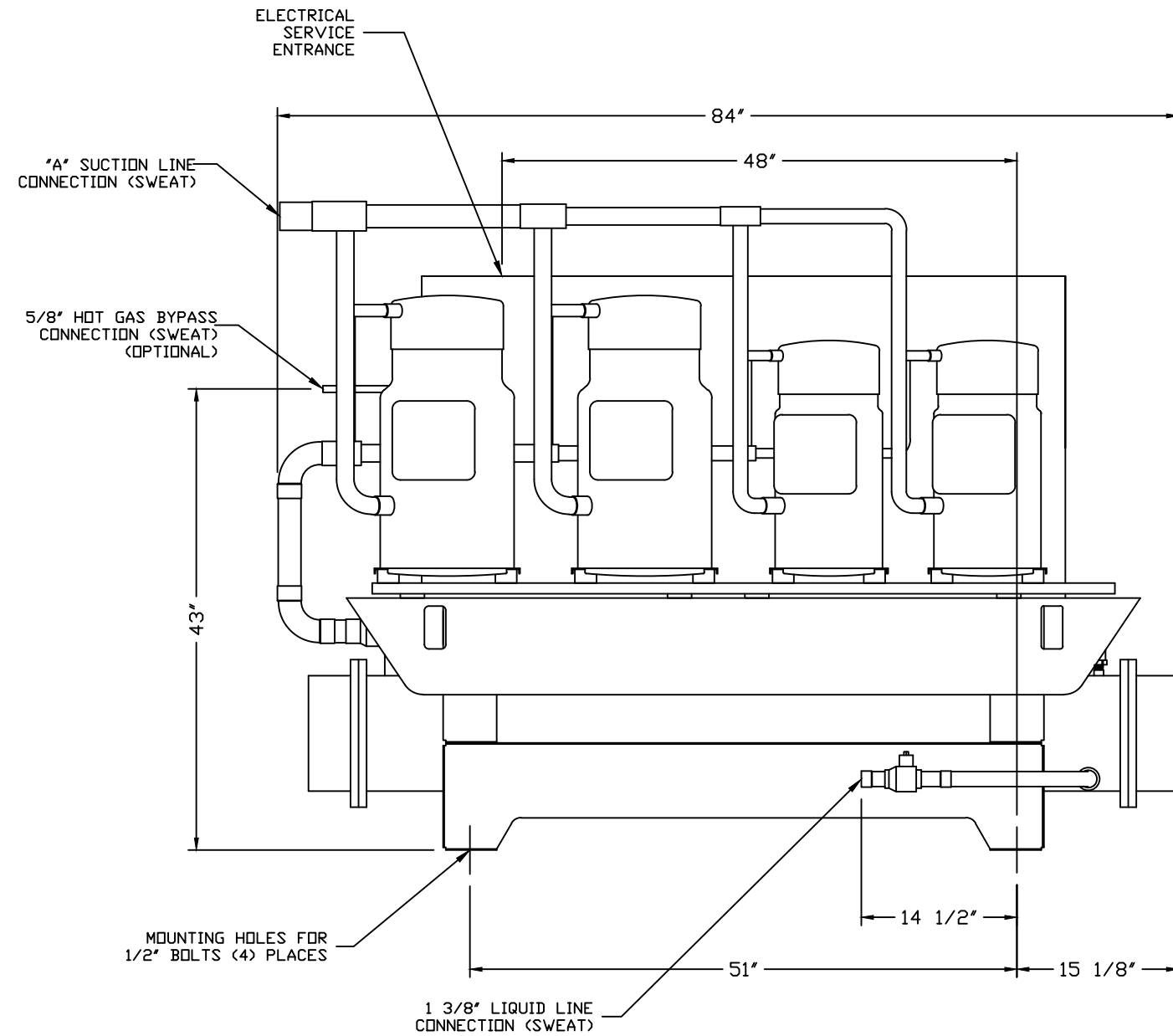



MODEL	PHYSICAL DATA		ELECTRICAL DATA - 208/230 VOLT, 3 ϕ , 60 HZ					ELECTRICAL DATA - 460 VOLT, 3 ϕ , 60HZ				
	"A"	OPERATING WEIGHT	COMPRESSOR RLA (EACH)	COMPRESSOR LRA (EACH)	MINIMUM CIRCUIT AMPACITY	MAXIMUM FUSE SIZE	RECOMMENDED TIME DELAY FUSE	COMPRESSOR RLA (EACH)	COMPRESSOR LRA (EACH)	MINIMUM CIRCUIT AMPACITY	MAXIMUM FUSE SIZE	RECOMMENDED TIME DELAY FUSE
SWU-50	2 5/8"	1849 LBS.	63/63/43/43	376/376/251/251	225	250	250	28/28/19/19	178/178/117/117	99	125	110
SWU-60	3 1/8"	1983 LBS.	63/63/63/63	376/376/376/376	265	300	300	28/28/28/28	178/178/178/178	118	125	125



IMPORTANT

THE INFORMATION CONTAINED HEREON, WHICH IS THE PROPERTY OF NAPPS TECHNOLOGY CORPORATION, MUST BE MAINTAINED IN STRICT CONFIDENCE AND NO PORTION OF THIS MATERIAL MAY BE REPRODUCED OR USED FOR ANY PURPOSES WITHOUT THE EXPRESS WRITTEN CONSENT OF NAPPS TECHNOLOGY CORPORATION

ENGINEER'S SEAL	BY	DATE	REVISION



NAPPS TECHNOLOGY CORP.
P.O. BOX 3066
LONGVIEW, TX 75606-3066
WWW.NAPPSTECH.COM

TITLE: TYPICAL SWU 50,60 TON
SCROLL WATER COOLED CONDENSING UNIT

SCALE: 1"=12" DRAWN BY: M.GREER CHECKED BY: M.GREER APP'D BY: EGN

DATE: 04/05/99

R22/407C

DRAWING NUMBER: SWU5060 REV: 1 SHEET NO. 1 OF 1 NAPPS JOB NO.

DATE: 04/05/99

DRAWN BY: M.GREER

CHECKED BY: M.GREER

APP'D BY: EGN

R22/407C

DRAWING NUMBER: SWU5060

REV: 1

SHEET NO. 1 OF 1

NAPPS JOB NO.