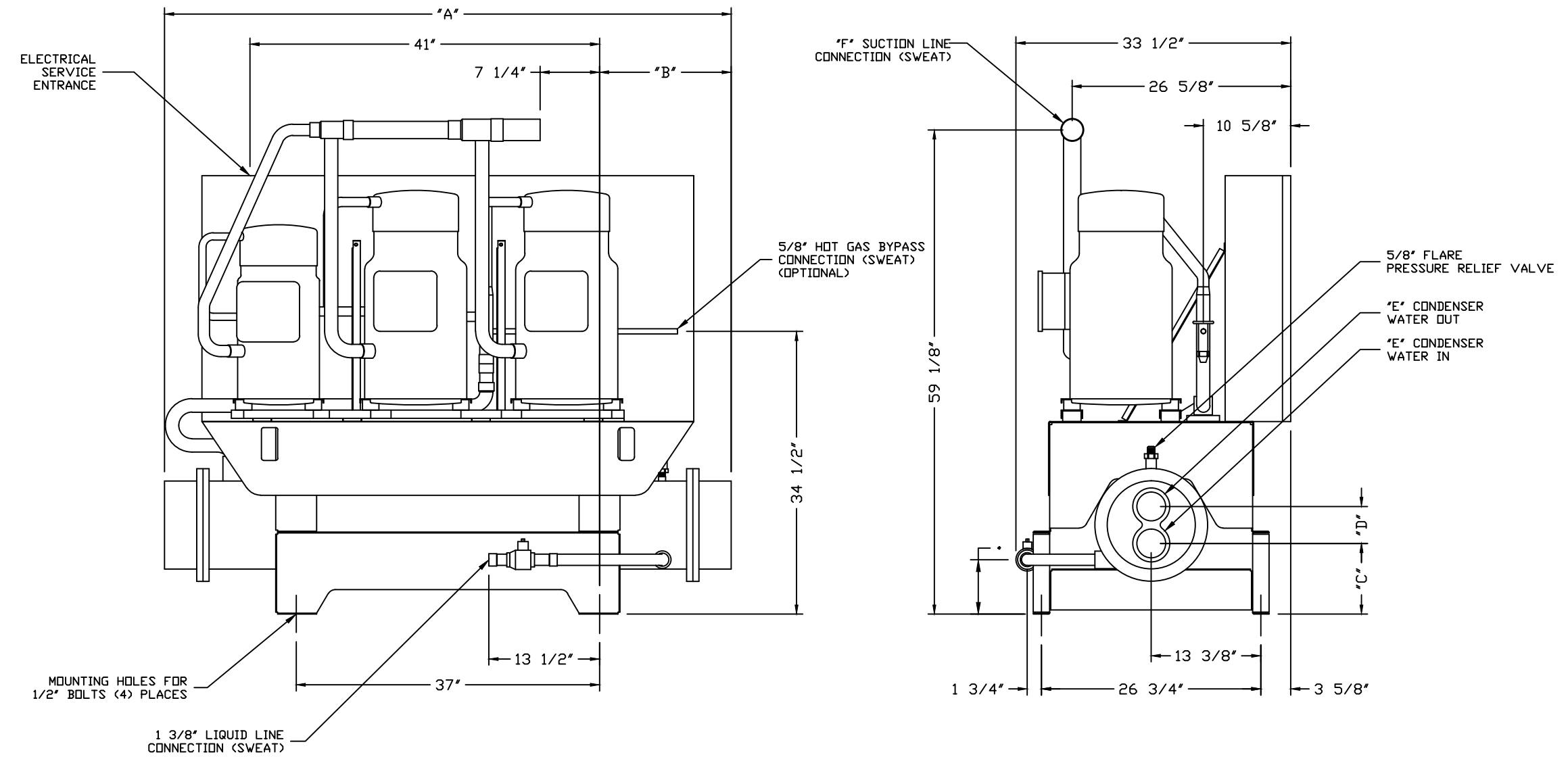


MODEL	PHYSICAL DATA							ELECTRICAL DATA - 208/230 VOLT, 3Ø, 60 HZ					ELECTRICAL DATA - 460 VOLT, 3Ø, 60HZ				
	"A"	"B"	"C"	"D"	"E"	"F"	OPERATING WEIGHT	COMPRESSOR RLA (EACH)	COMPRESSOR LRA (EACH)	MINIMUM CIRCUIT AMPACITY	MAXIMUM FUSE SIZE	RECOMMENDED TIME DELAY FUSE	COMPRESSOR RLA (EACH)	COMPRESSOR LRA (EACH)	MINIMUM CIRCUIT AMPACITY	MAXIMUM FUSE SIZE	RECOMMENDED TIME DELAY FUSE
SWU-35	66"	14 1/2"	8"	3 3/4"	2 1/2" FPT	2 1/8"	1327 LBS.	43/43/63	251/251/376	163	225	175	19/19/28	117/117/178	72	100	80
SWU-40	78"	20 1/2"	8"	3 3/4"	2 1/2" FPT	2 5/8"	1434 LBS.	43/63/63	251/376/376	183	225	200	19/28/28	117/178/178	81	110	90
SWU-45	69 1/8"	16 1/16"	8 5/8"	4 1/2"	3" FPT	2 5/8"	1621 LBS.	63/63/63	376/376/376	203	250	225	28/28/28	178/178/178	90	110	100



IMPORTANT

THE INFORMATION CONTAINED HEREON, WHICH IS THE PROPERTY OF NAPP'S TECHNOLOGY CORPORATION, MUST BE MAINTAINED IN STRICT CONFIDENCE AND NO PORTION OF THIS MATERIAL MAY BE REPRODUCED OR USED FOR ANY PURPOSE WITHOUT THE EXPRESS WRITTEN CONSENT OF NAPP'S TECHNOLOGY CORPORATION.

ENGINEER'S SEAL	BY	DATE	REVISION

Napps NAPP'S TECHNOLOGY CORP.
P.O. BOX 3066
LONGVIEW, TX 75606-3066
WWW.NAPPSTECH.COM

TITLE: TYPICAL SWU 35,40,45 TON
SCROLL WATER COOLED CONDENSING UNIT

SCALE: 1"=12" DRAWN BY: M.GREER CHECKED BY: M.GREER APP'D BY: EGN

DATE: 04/05/99

R22/407C UNITS B

DRAWING NUMBER: SWU354045 REV. SHEET NO. 1 OF 1 NAPP'S JOB NO.

DATE: 04/05/99

DRAWN BY: M.GREER

CHECKED BY: M.GREER

APP'D BY: EGN

R22/407C UNITS

DRAWING NUMBER: SWU354045

REV. SHEET NO. 1 OF 1

NAPP'S JOB NO.