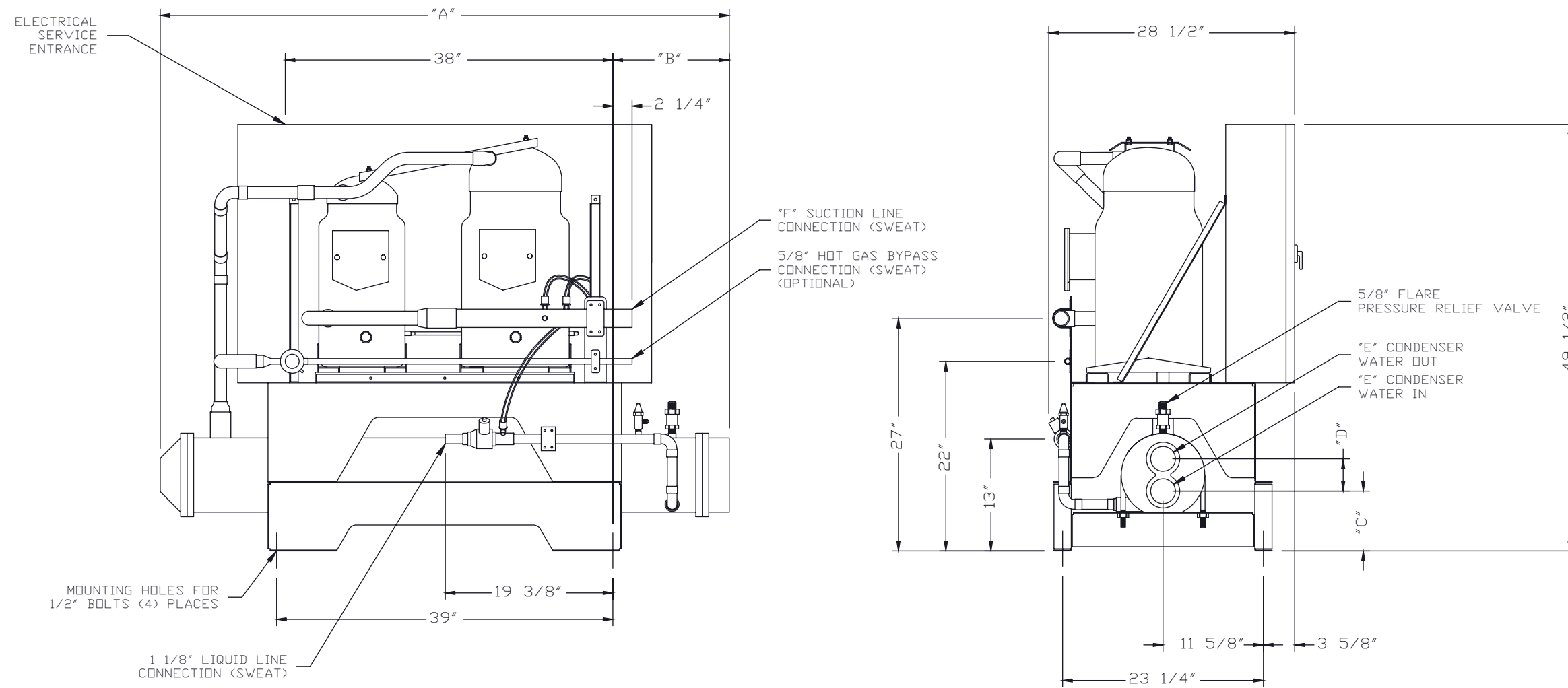


MODEL	PHYSICAL DATA							ELECTRICAL DATA - 208/230 VOLT, 3 $\phi$ , 60 HZ					ELECTRICAL DATA - 460 VOLT, 3 $\phi$ , 60HZ					ELECTRICAL DATA - 575 VOLT, 3 $\phi$ , 60HZ				
	"A"	"B"	"C"	"D"	"E"	"F"	OPERATING WEIGHT	COMPRESSOR RLA (EACH)	COMPRESSOR LRA (EACH)	MINIMUM CIRCUIT AMPACITY	MAXIMUM FUSE SIZE	RECOMMENDED TIME DELAY FUSE	COMPRESSOR RLA (EACH)	COMPRESSOR LRA (EACH)	MINIMUM CIRCUIT AMPACITY	MAXIMUM FUSE SIZE	RECOMMENDED TIME DELAY FUSE	COMPRESSOR RLA (EACH)	COMPRESSOR LRA (EACH)	MINIMUM CIRCUIT AMPACITY	MAXIMUM FUSE SIZE	RECOMMENDED TIME DELAY FUSE
SWU-20	64"	12 1/2"	6 3/8"	2 7/8"	2" FPT	1 5/8"	875 LBS.	43/43	251/251	95	125	110	19/19	117/117	42	60	50	15/15	94/94	34	45	40
SWU-25	64"	12 1/2"	6 3/8"	2 7/8"	2" FPT	2 1/8"	952 LBS.	43/63	251/376	120	175	150	19/28	117/178	53	80	60	15/23	94/143	44	60	50
SWU-30	66"	13 1/2"	7"	3 3/4"	2 1/2" FPT	2 1/8"	1124 LBS.	63/63	376/376	140	200	175	28/28	178/178	63	90	70	23/23	143/143	52	70	60



**IMPORTANT**

THE INFORMATION CONTAINED HEREIN, WHICH IS THE PROPERTY OF NAPPS TECHNOLOGY CORPORATION, MUST BE MAINTAINED IN STRICT CONFIDENCE AND NO PORTION OF THIS MATERIAL MAY BE REPRODUCED OR USED FOR ANY PURPOSE WITHOUT THE EXPRESS WRITTEN CONSENT OF NAPPS TECHNOLOGY CORPORATION

ENGINEER'S SEAL	BY	DATE	REVISION
	SMH	5-16-13	Added 575V Data
	LAH	2-14-14	Took out R22 info

<b>Napps</b>				NAPPS TECHNOLOGY CORP. P.O. BOX 3066 LONGVIEW, TX 75606-3066 WWW.NAPPSTECH.COM			
TITLE: TYPICAL SWU 20,25,30 TON SCROLL WATER COOLED CONDENSING UNIT							
SCALE: 1"=12"	DRAWN BY:	CHECKED BY:	APP'D BY:				
DATE: 04/09/99	M.GREER	M.GREER	EGN				
R407C UNITS							
DRAWING NUMBER		REV. SHEET NO.		NAPPS JOB NO.			
SWU202530		02 1 OF 1					