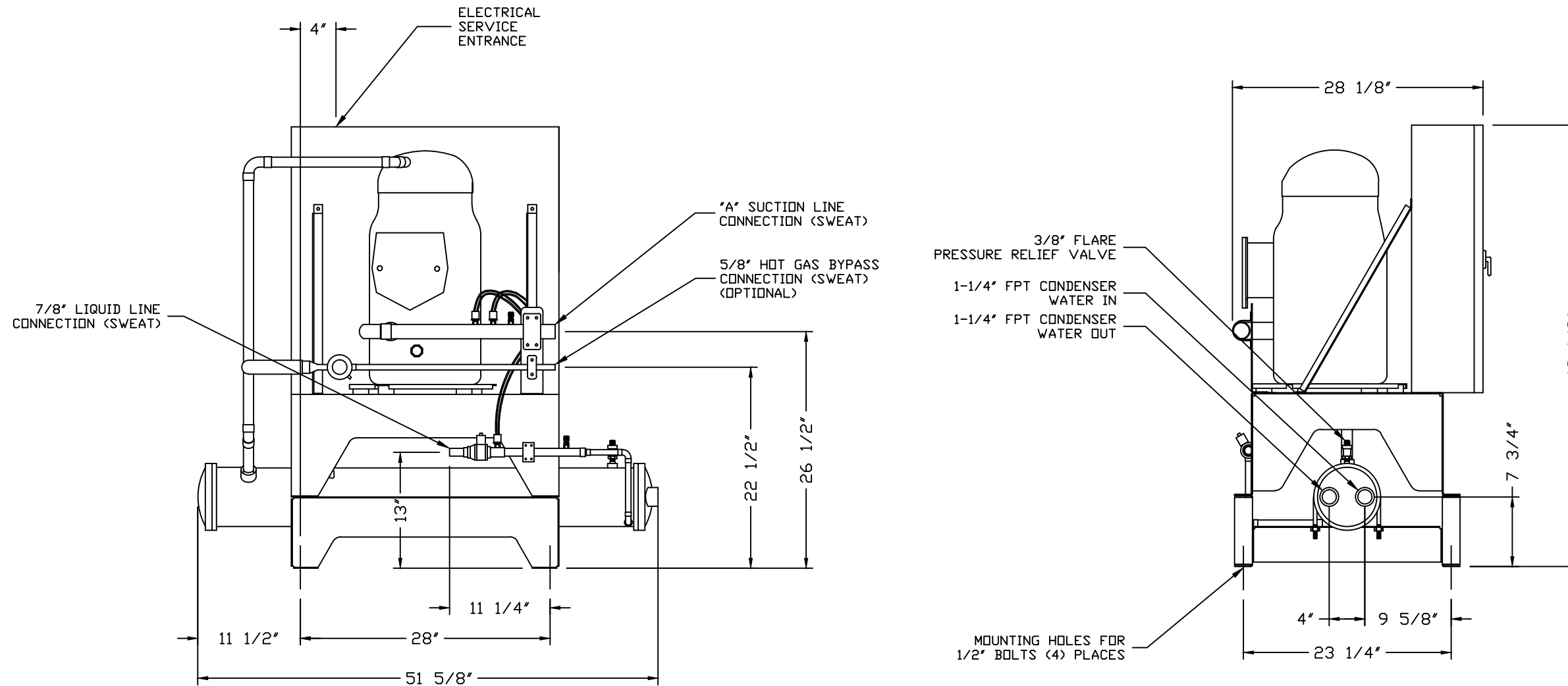


MODEL	PHYSICAL DATA		ELECTRICAL DATA - 208/230 VOLT, 3Ø, 60 HZ					ELECTRICAL DATA - 460 VOLT, 3Ø, 60HZ				
	"A"	OPERATING WEIGHT	COMPRESSOR RLA	COMPRESSOR LRA	MINIMUM CIRCUIT AMPACITY	MAXIMUM FUSE SIZE	RECOMMENDED TIME DELAY FUSE	COMPRESSOR RLA	COMPRESSOR LRA	MINIMUM CIRCUIT AMPACITY	MAXIMUM FUSE SIZE	RECOMMENDED TIME DELAY FUSE
SWU-10	1 3/8"	620 LBS.	43	251	53	90	60	19	117	23	40	30
SWU-15	1 5/8"	697 LBS.	63	376	78	125	90	28	178	35	60	45



IMPORTANT
 THE INFORMATION CONTAINED HEREON, WHICH IS THE PROPERTY OF NAPPS TECHNOLOGY CORPORATION, MUST BE MAINTAINED IN STRICT CONFIDENCE AND NO PORTION OF THIS MATERIAL MAY BE REPRODUCED OR USED FOR ANY PURPOSE WITHOUT THE EXPRESS WRITTEN CONSENT OF NAPPS TECHNOLOGY CORPORATION.

ENGINEER'S SEAL	BY	DATE	REVISION

Napps
 NAPPS TECHNOLOGY CORP.
 P.O. BOX 3066
 LONGVIEW, TX 75606-3066
 WWW.NAPPSTECH.COM

TITLE: TYPICAL SWU 10,15 TON
 SCROLL WATER COOLED CONDENSING UNIT

SCALE: 1"=12" DRAWN BY: M.GREER CHECKED BY: M.GREER APP'D BY: EGN

DATE: 04/05/99

R22/407C UNITS B

DRAWING NUMBER: SWU1015 REV. SHEET NO.: 1 OF 1 NAPPS JOB NO.: