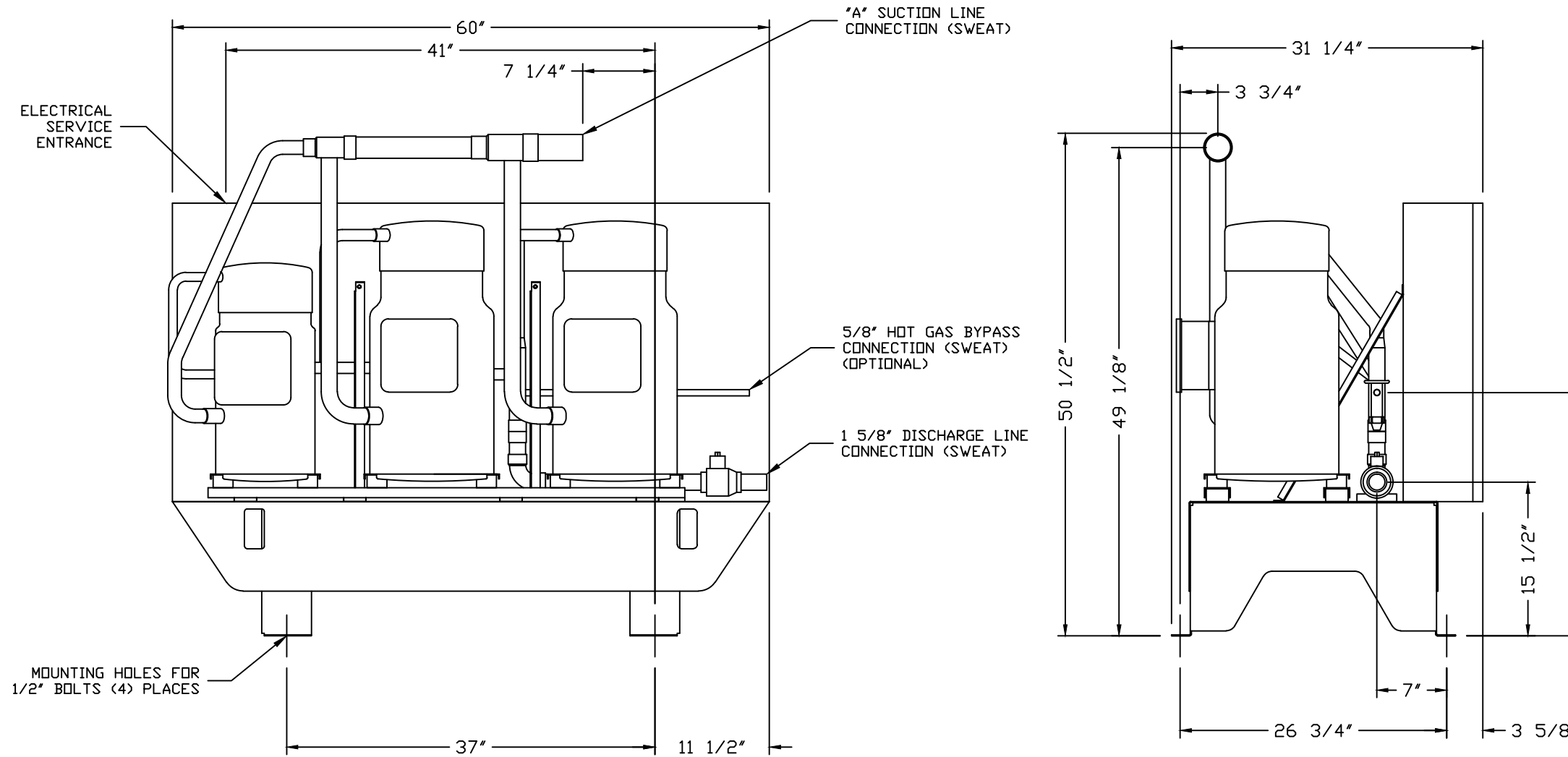


MODEL	PHYSICAL DATA		ELECTRICAL DATA - 208/230 VOLT, 3 ϕ , 60 HZ					ELECTRICAL DATA - 460 VOLT, 3 ϕ , 60HZ				
	"A"	OPERATING WEIGHT	COMPRESSOR RLA (EACH)	COMPRESSOR LRA (EACH)	MINIMUM CIRCUIT AMPACITY	MAXIMUM FUSE SIZE	RECOMMENDED TIME DELAY FUSE	COMPRESSOR RLA (EACH)	COMPRESSOR LRA (EACH)	MINIMUM CIRCUIT AMPACITY	MAXIMUM FUSE SIZE	RECOMMENDED TIME DELAY FUSE
SCU-35	2 1/8"	897 LBS.	43/43/63	251/251/376	163	225	175	19/19/28	117/117/178	72	100	80
SCU-40	2 5/8"	964 LBS.	43/63/63	251/376/376	183	225	200	19/28/28	117/178/178	81	110	90
SCU-45	2 5/8"	1031 LBS.	63/63/63	376/376/376	203	250	225	28/28/28	178/178/178	90	110	100



IMPORTANT
 THE INFORMATION CONTAINED HEREIN, WHICH IS THE PROPERTY OF NAPPS TECHNOLOGY CORPORATION, MUST BE MAINTAINED IN STRICT CONFIDENCE AND NO PORTION OF THIS MATERIAL MAY BE REPRODUCED OR USED FOR ANY PURPOSE WITHOUT THE EXPRESS WRITTEN CONSENT OF NAPPS TECHNOLOGY CORPORATION.

ENGINEER'S SEAL	BY	DATE	REVISION

Napps NAPPS TECHNOLOGY CORP.
 P.O. BOX 3066
 LONGVIEW, TX 75606-3066
 WWW.NAPPSTECH.COM

TITLE: TYPICAL SCU 35,40,45 TON
 SCROLL COMPRESSOR UNIT

SCALE: 1"=12" DRAWN BY: M. GREER CHECKED BY: M. GREER APP'D BY: EGN

DATE: 04/05/99

R22/407C UNITS B

DRAWING NUMBER: SCU354045 REV. SHEET NO.: 1 OF 1 NAPPS JOB NO.:

DATE: 04/05/99

SCALE: 1"=12"

DRAWN BY: M. GREER

CHECKED BY: M. GREER

APP'D BY: EGN

R22/407C UNITS B

DRAWING NUMBER: SCU354045 REV. SHEET NO.: 1 OF 1 NAPPS JOB NO.: