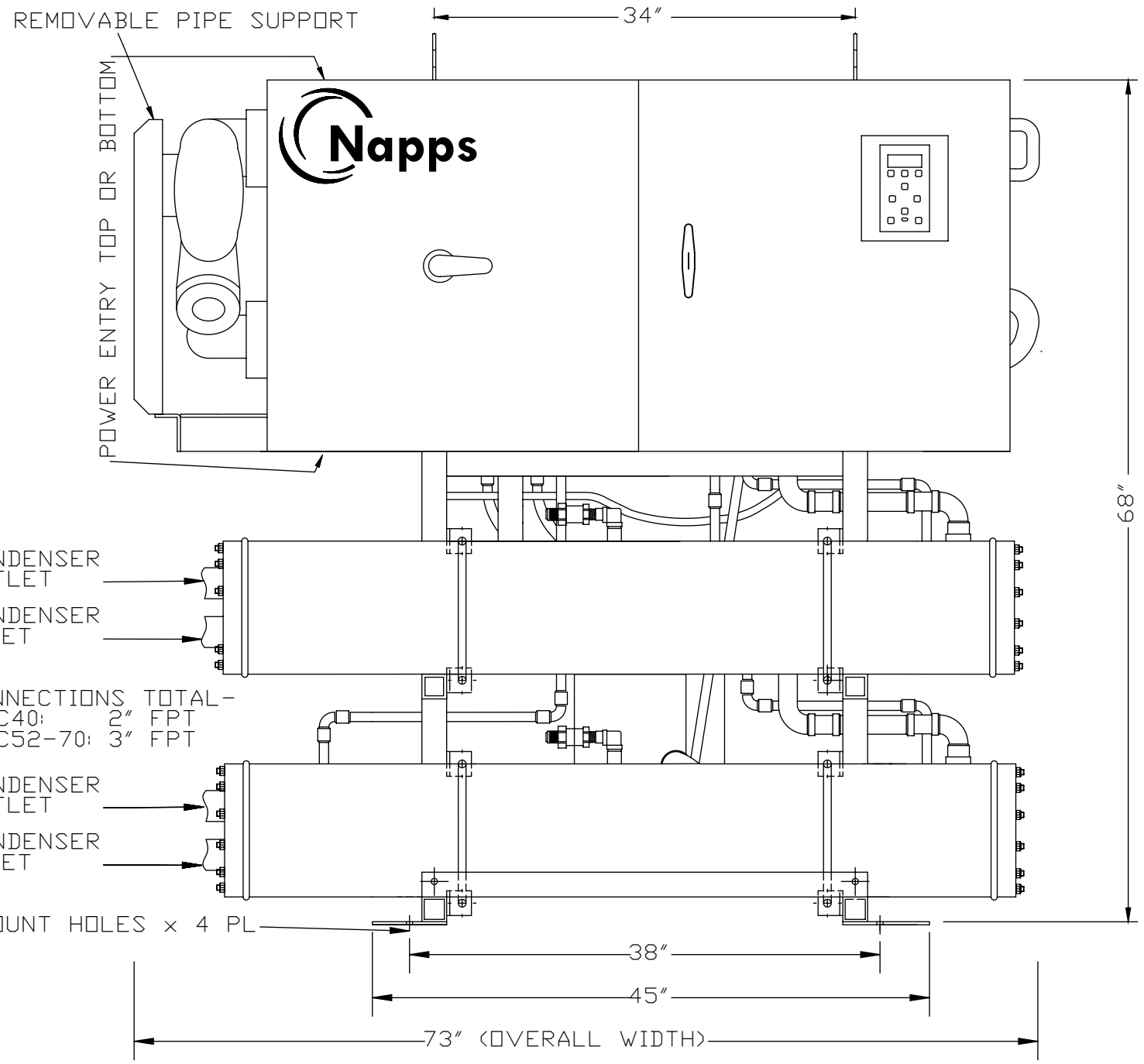
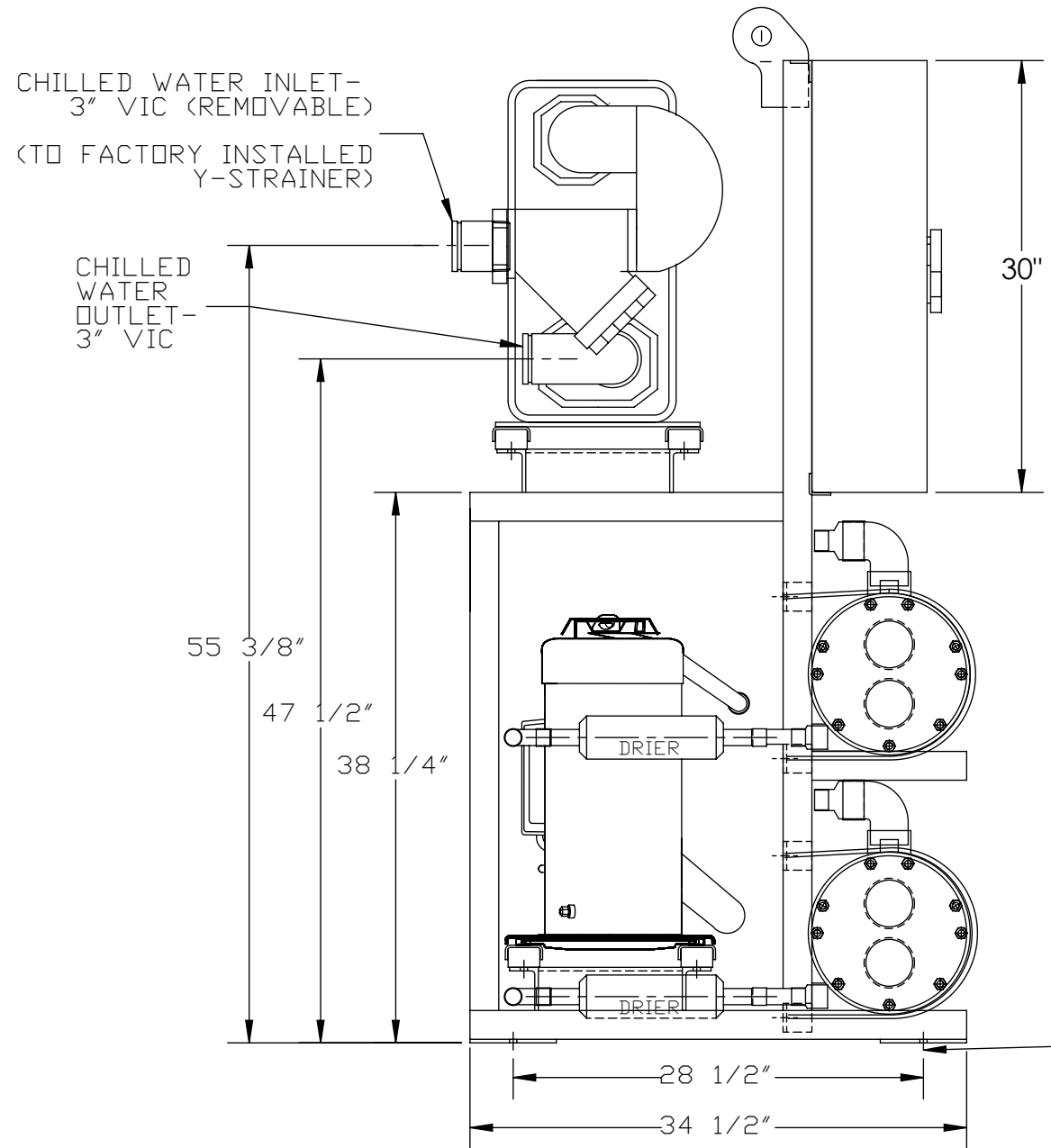


MODEL	OPERATING WEIGHT	SHIPPING WEIGHT
NWC-40	2100 LBS	2170 LBS
NWC-52	2300 LBS	2350 LBS
NWC-60	2655 LBS	2690 LBS
NWC-70	2972 LBS	2990 LBS



4 CONNECTIONS TOTAL -
 NWC40: 2" FPT
 NWC52-70: 3" FPT

1/2" MOUNT HOLES x 4 PL

- NOTES:
- 3/4" FLARE DISCHARGE, 600# RELIEF ON CONDENSER VESSEL
 - ALLOW 60" CLEARANCE AT ENDS FOR SERVICE OF CONDENSERS.
 - ALLOW 36" CLEARANCE ON CONTROLBOX SIDE FOR SERVICE.
 - ALLOW 24" MIN AT REAR TO ALLOW FOR SERVICE OF COMPRESSORS.
 - ADD 12" NOM TO UNIT LENGTH IF EQUIPPED WITH FACTORY INST'D WRV SET.
 - ALLOW 36" SERVICE CLEARANCE OVERHEAD.



IMPORTANT
 THE INFORMATION CONTAINED HEREIN, WHICH IS THE PROPERTY OF NAPP'S TECHNOLOGY CORPORATION, MUST BE MAINTAINED IN STRICT CONFIDENCE AND NO PORTION OF THIS MATERIAL MAY BE REPRODUCED OR USED FOR ANY PURPOSE WITHOUT THE EXPRESS WRITTEN CONSENT OF NAPP'S TECHNOLOGY CORPORATION

ENGINEER'S SEAL	BY	DATE	REVISION
	SMH	04-03-12	Corrected operating wts, added shipping wts & overhead clearance

Napps NAPP'S TECHNOLOGY CORP.
 P.O. BOX 3066
 LONGVIEW, TX 75606-3066
 WWW.NAPPSTECH.COM

TITLE: TYPICAL NWC 40,52,60,70 TON
 SCROLL WATER COOLED CHILLERS

SCALE: 1"=12" DRAWN BY: AMS CHECKED BY: PMK APP'D BY: -
 DATE: 04/04/2011

R410A CHILLERS **B**

DRAWING NUMBER: NWC40526070 REV: 01 SHEET NO: 1 OF 1 NAPP'S JOB NO.