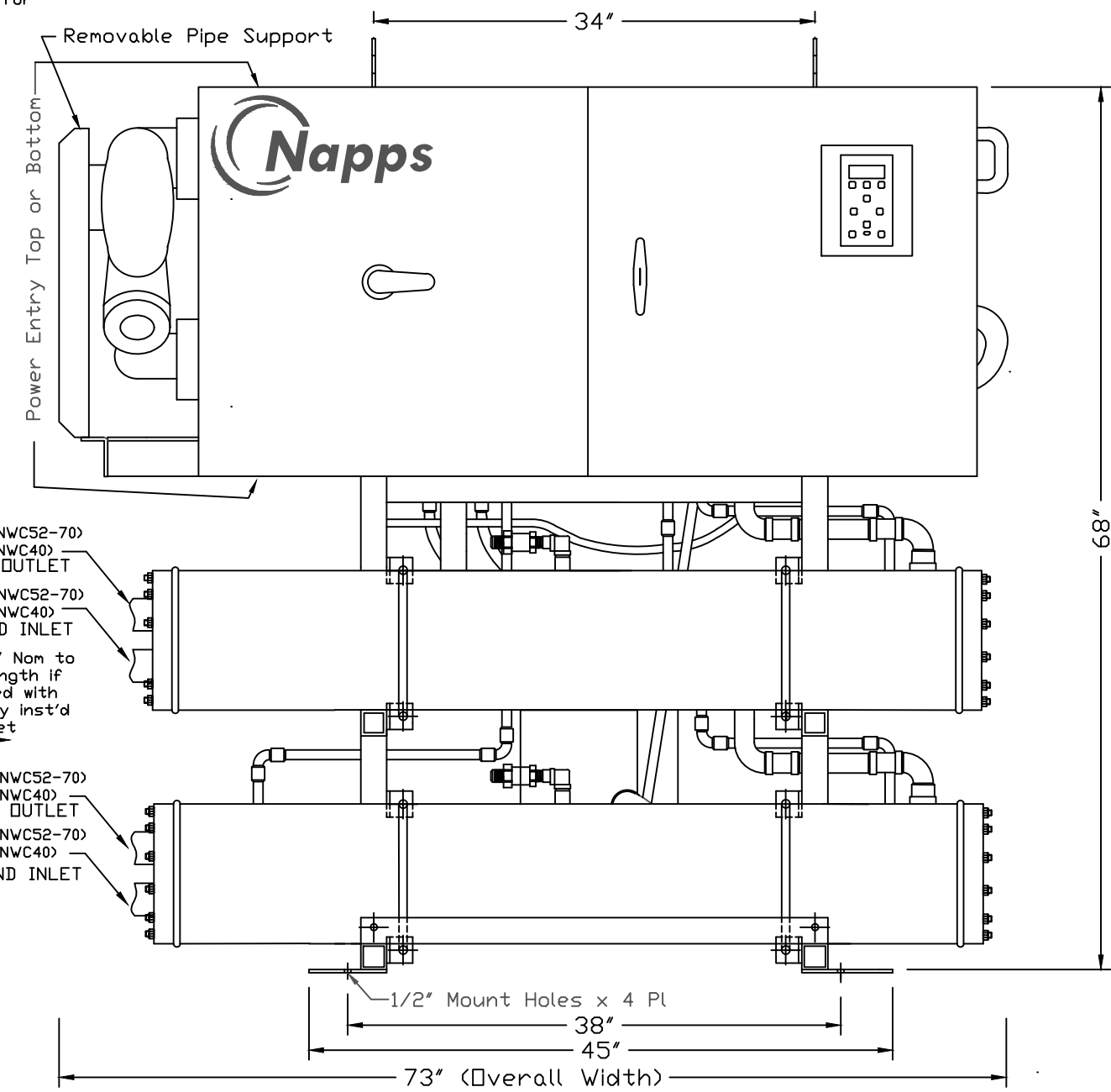
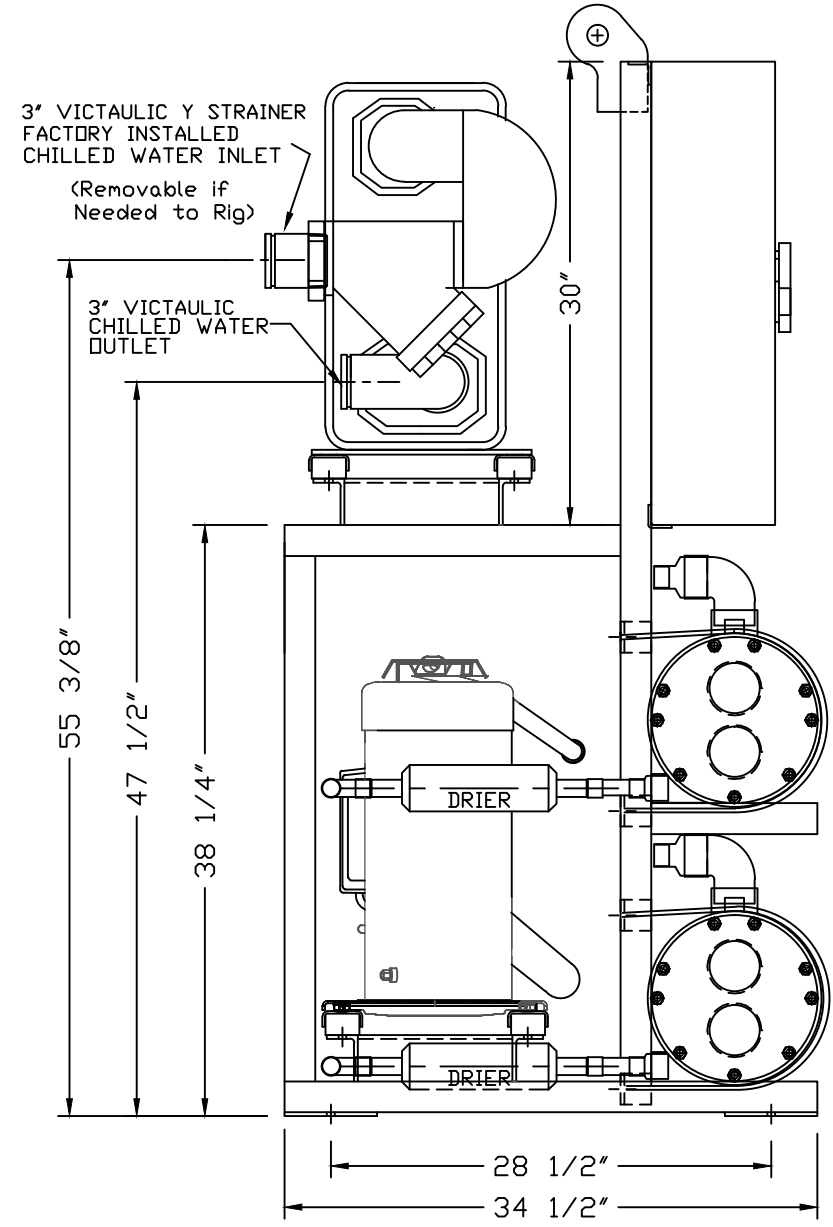


MODEL	OPERATING WEIGHT
NWC-40	2020 LBS
NWC-52	2200 LBS
NWC-60	2500 LBS
NWC-70	2840 LBS

- Notes:
1. 3/4" flare discharge, 600#Relief on condenser vessel
  2. Allow 60" Clearance at ends for service of condensers
  3. Allow 42" clearance on control box side for service
  4. Allow 24" min at rear to allow for service of compressors.



**IMPORTANT**

THE INFORMATION CONTAINED HEREON, WHICH IS THE PROPERTY OF NAPPS TECHNOLOGY CORPORATION, MUST BE MAINTAINED IN STRICT CONFIDENCE AND NO PORTION OF THIS MATERIAL MAY BE REPRODUCED OR USED FOR ANY PURPOSE WITHOUT THE EXPRESS WRITTEN CONSENT OF NAPPS TECHNOLOGY CORPORATION

ENGINEER'S SEAL	BY	DATE	REVISION

**Napps** NAPPS TECHNOLOGY CORP.  
P.O. BOX 3066  
LONGVIEW, TX 75606-3066  
WWW.NAPPSTECH.COM

TITLE: TYPICAL NWC 40,52,60,70 TON  
SCROLL WATER COOLED CHILLERS

SCALE: 1"=12" DRAWN BY: AMS CHECKED BY: PMK APP'D BY: -  
DATE: 04/04/2011

R410A CHILLERS

DRAWING NUMBER	REV.	SHEET NO.	NAPPS JOB NO.
NWC40526070		1 OF 1	