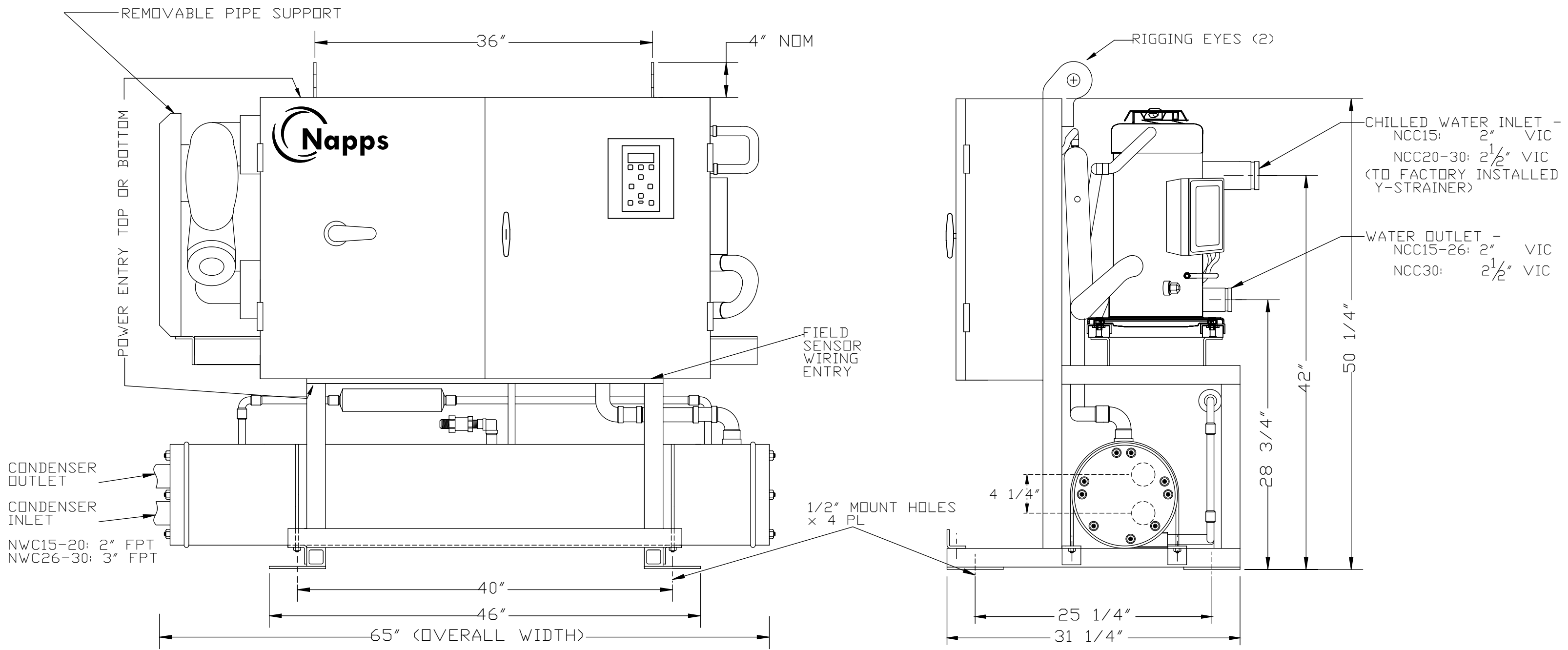


MODEL	OPERATING WEIGHT	SHIPPING WEIGHT
NWC-15	1145 LBS	1260 LBS
NWC-20	1200 LBS	1310 LBS
NWC-26	1330 LBS	1430 LBS
NWC-30	1400 LBS	1490 LBS



NOTES:

- 3/4" FLARE DISCHARGE, 600# RELIEF ON CONDENSER VESSEL
- ALLOW 60" CLEARANCE AT ENDS FOR SERVICE OF CONDENSERS.
- ALLOW 36" CLEARANCE ON CONTROLBOX SIDE FOR SERVICE.
- ALLOW 24" MIN AT REAR TO ALLOW FOR SERVICE OF COMPRESSORS.
- ADD 12" NOM TO UNIT LENGTH IF EQUIPPED WITH FACTORY INST'D WRV SET.
- ALLOW 36" SERVICE CLEARANCE OVERHEAD.



IMPORTANT

THE INFORMATION CONTAINED HEREON, WHICH IS THE PROPERTY OF NAPPS TECHNOLOGY CORPORATION, MUST BE MAINTAINED IN STRICT CONFIDENCE, AND NO PORTION OF THIS MATERIAL MAY BE REPRODUCED OR USED FOR ANY PURPOSE WITHOUT THE EXPRESS WRITTEN CONSENT OF NAPPS TECHNOLOGY CORPORATION

ENGINEER'S SEAL	#	BY	DATE	REVISION
	1	SMH	04-03-12	Corrected operating wts, added shipping wts & overhead clearance

Napps NAPPS TECHNOLOGY CORP.
P.O. BOX 3066
LONGVIEW, TX 75606-3066
WWW.NAPPSTECH.COM

TITLE: TYPICAL NWC 15,20,26,30 TON
SCROLL WATER COOLED CHILLERS

SCALE: 1"=12" DRAWN BY: AMS CHECKED BY: PMK APP'D BY: -

DATE: 04/04/2011

R410A CHILLERS

DRAWING NUMBER: NWC 15202630 REV. SHEET NO. 01 NAPPS JOB NO. 1 OF 1