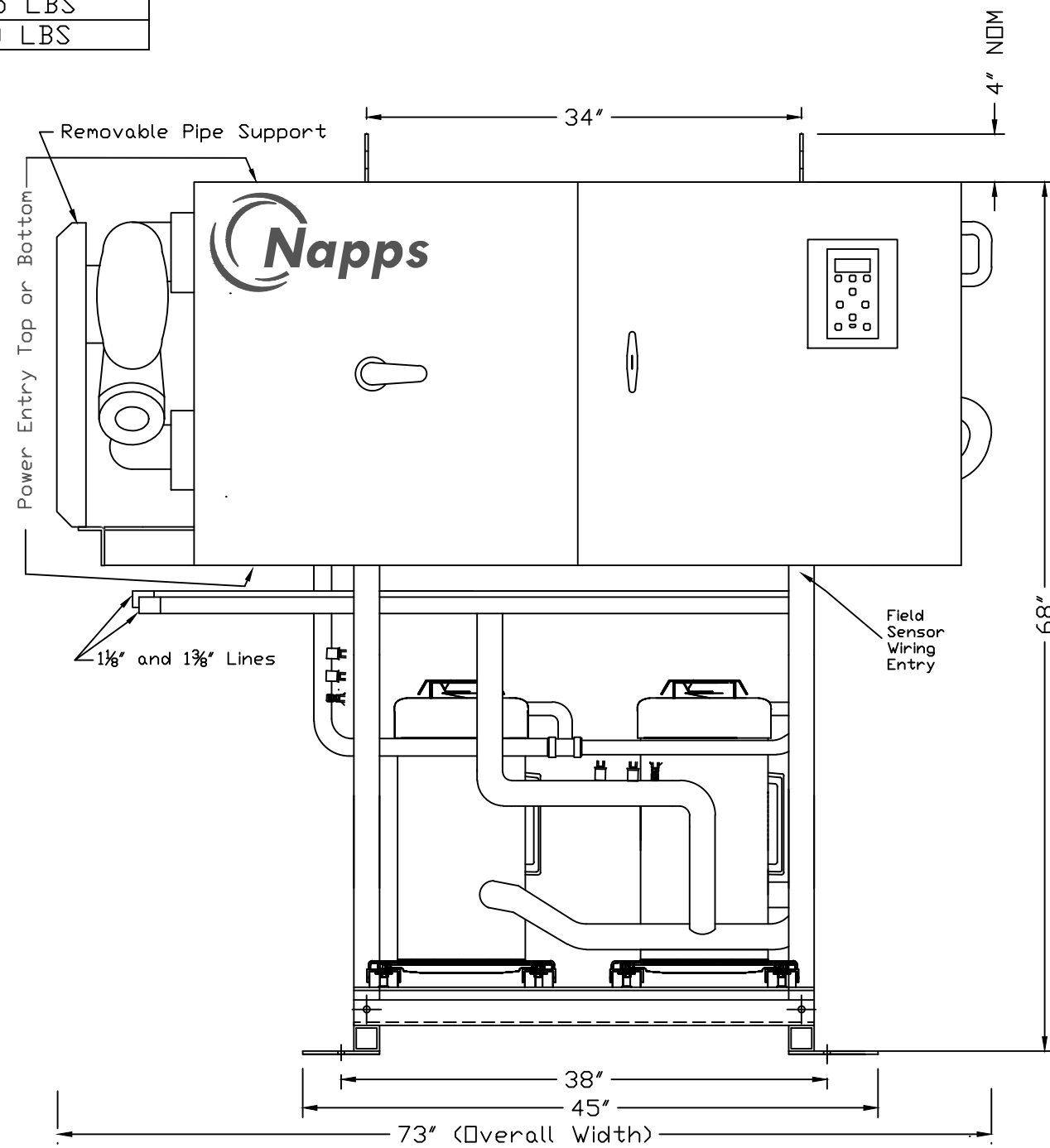
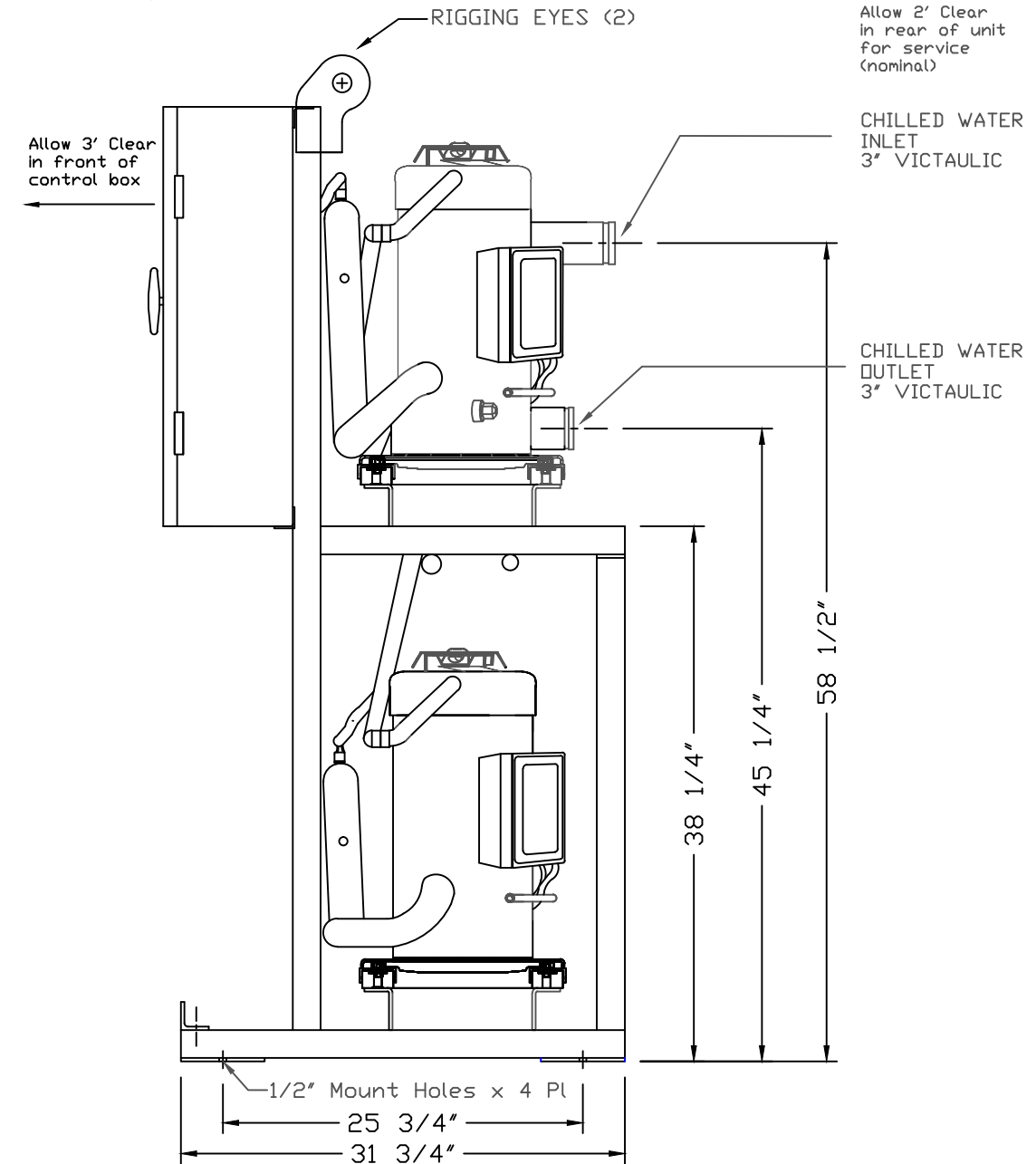


MODEL	OPERATING WEIGHT
NCC-40	1360 LBS
NCC-52	1420 LBS
NCC-60	1685 LBS
NCC-70	1800 LBS



- Notes:
1. Allow 42" clearance on control box side for service
 2. Allow 24" min at rear to allow for service of compressors.



IMPORTANT

THE INFORMATION CONTAINED HEREON, WHICH IS THE PROPERTY OF NAPPS TECHNOLOGY CORPORATION, MUST BE MAINTAINED IN STRICT CONFIDENCE AND NO PORTION OF THIS MATERIAL MAY BE REPRODUCED OR USED FOR ANY PURPOSES WITHOUT THE EXPRESS WRITTEN CONSENT OF NAPPS TECHNOLOGY CORPORATION

ENGINEER'S SEAL	#	BY	DATE	REVISION

Napps NAPPS TECHNOLOGY CORP.
P.O. BOX 3066
LONGVIEW, TX 75606-3066
WWW.NAPPSTECH.COM

TITLE: TYPICAL NCC 40,52,60,70 TON
SCROLL COMPRESSOR CHILLER

SCALE: 1"=12" DRAWN BY: AMS CHECKED BY: PMK APP'D BY: -
DATE: 04/04/2011

R410A CHILLERS

DRAWING NUMBER: NCC40526070 REV. SHEET NO. 1 OF 1 NAPPS JOB NO.

1/8" B