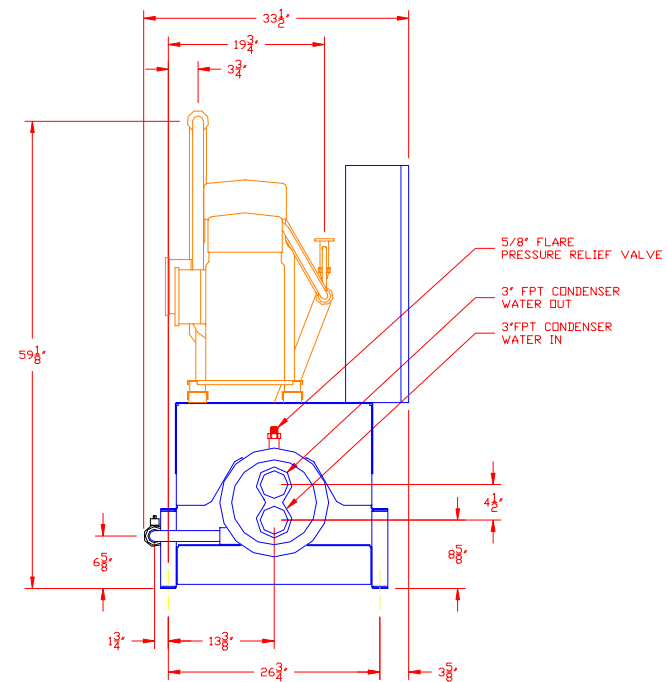
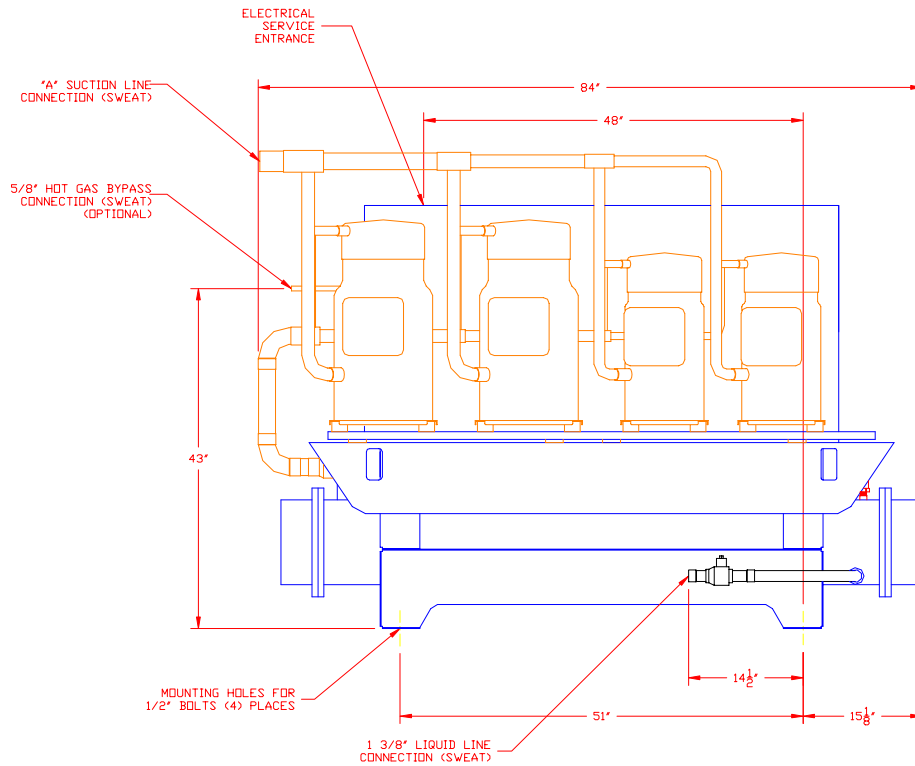


MODEL	PHYSICAL DATA		ELECTRICAL DATA - 208/230 VOLT, 3ø, 60 HZ					ELECTRICAL DATA - 460 VOLT, 3ø, 60HZ				
	"A"	OPERATING WEIGHT	COMPRESSOR RLA (EACH)	COMPRESSOR LRA (EACH)	MINIMUM CIRCUIT AMPACITY	MAXIMUM FUSE SIZE	RECOMMENDED TIME DELAY FUSE	COMPRESSOR RLA (EACH)	COMPRESSOR LRA (EACH)	MINIMUM CIRCUIT AMPACITY	MAXIMUM FUSE SIZE	RECOMMENDED TIME DELAY FUSE
SWU-50	2 5/8"	1849 LBS.	63/63/43/43	376/376/251/251	225	250	250	28/28/19/19	178/178/117/117	99	125	110
SWU-60	3 1/8"	1983 LBS.	63/63/63/63	376/376/376/376	265	300	300	28/28/28/28	178/178/178/178	118	125	125



IMPORTANT
 The information contained hereon, which is the property of NAPPS INDUSTRIES, INC., must be maintained in strict confidence and no portion of this material may be reproduced or used for any purpose without the express written consent of NAPPS INDUSTRIES, INC.

ENGINEER'S SEAL		BY	DATE	REVISION	NAPPS INDUSTRIES, INC. P.O. BOX 2546 - LONGVIEW, TEXAS 75606-2546 TRANE SCROLL COMPRESSOR UNIT			
					SCALE: 1/16" = 1"	DRAWN BY:	CHECKED BY:	APPROVED BY:
					DATE: 11/23/04			
					TITLE:	INSTALLATION OUTLINE		DRAWING
					SWU-50 & SWU-60			SIZE
					DRAWING NUMBER:	REV.:	SHEET NUMBER:	NAPPS JOB NO.:
					NII-400-2742	00	1 OF 1	00000