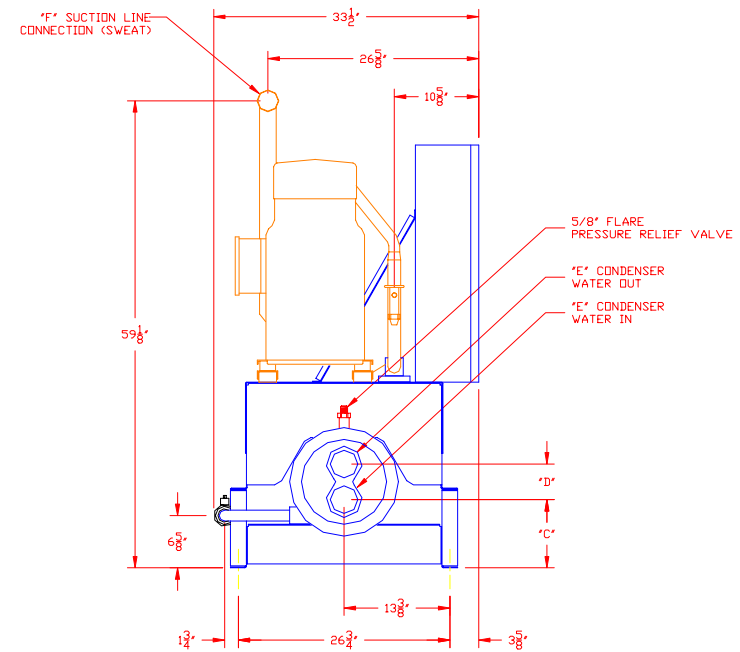
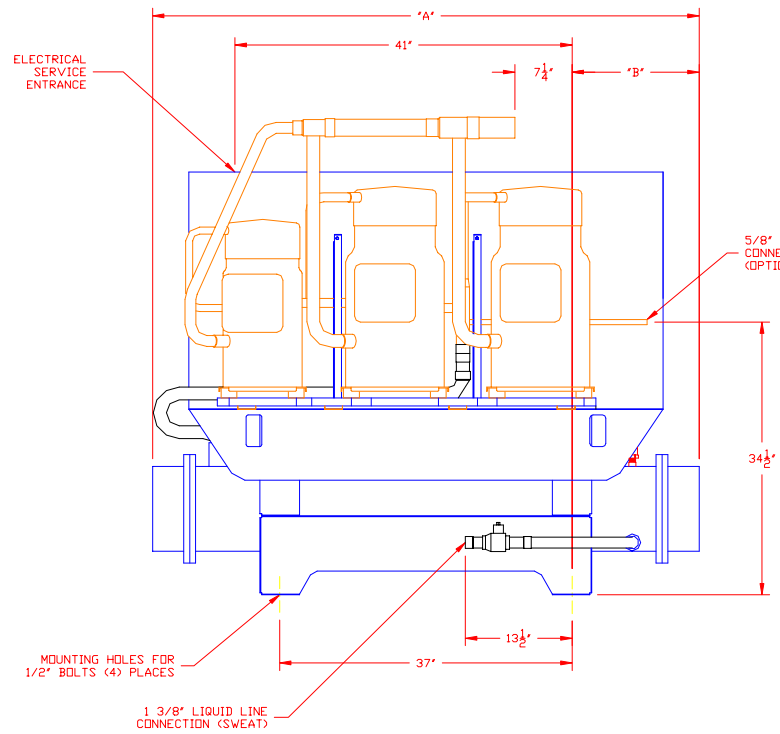


MODEL	PHYSICAL DATA							ELECTRICAL DATA - 208/230 VOLT, 3 $\phi$ , 60 HZ					ELECTRICAL DATA - 460 VOLT, 3 $\phi$ , 60HZ				
	"A"	"B"	"C"	"D"	"E"	"F"	OPERATING WEIGHT	COMPRESSOR RLA (EACH)	COMPRESSOR LRA (EACH)	MINIMUM CIRCUIT AMPACITY	MAXIMUM FUSE SIZE	RECOMMENDED TIME DELAY FUSE	COMPRESSOR RLA (EACH)	COMPRESSOR LRA (EACH)	MINIMUM CIRCUIT AMPACITY	MAXIMUM FUSE SIZE	RECOMMENDED TIME DELAY FUSE
SWU-35	66"	14 1/2"	8"	3 3/4"	2 1/2" FPT	2 1/8"	1327 LBS.	43/43/63	251/251/376	163	225	175	19/19/28	117/117/178	72	100	80
SWU-40	78"	20 1/2"	8"	3 3/4"	2 1/2" FPT	2 5/8"	1434 LBS.	43/63/63	251/376/376	183	225	200	19/28/28	117/178/178	81	110	90
SWU-45	69 1/8"	16 1/16"	8 5/8"	4 1/2"	3" FPT	2 5/8"	1621 LBS.	63/63/63	376/376/376	203	250	225	28/28/28	178/178/178	90	110	100



**IMPORTANT**  
The information contained hereon, which is the property of NAPPS INDUSTRIES, INC., must be maintained in strict confidence and no portion of this material may be reproduced or used for any purpose without the express written consent of NAPPS INDUSTRIES, INC.

ENGINEER'S SEAL	BY	DATE	REVISION
<b>NAPPS INDUSTRIES, INC.</b>			
P.O. BOX 2546 - LONGVIEW, TEXAS 75606-2546			
<b>TRANE SCROLL COMPRESSOR UNIT</b>			
SCALE: 1/16" = 1"	DRAWN BY:	CHECKED BY:	APPROVED BY:
DATE: 11/23/04			
TITLE: INSTALLATION OUTLINE SWU-35, SWU-40 & SWU-45			DRAWING SIZE
DRAWING NUMBER: NII-400-2741	REV: 00	SHEET NUMBER: 1 of 1	NAPPS JOB NO.: 00000