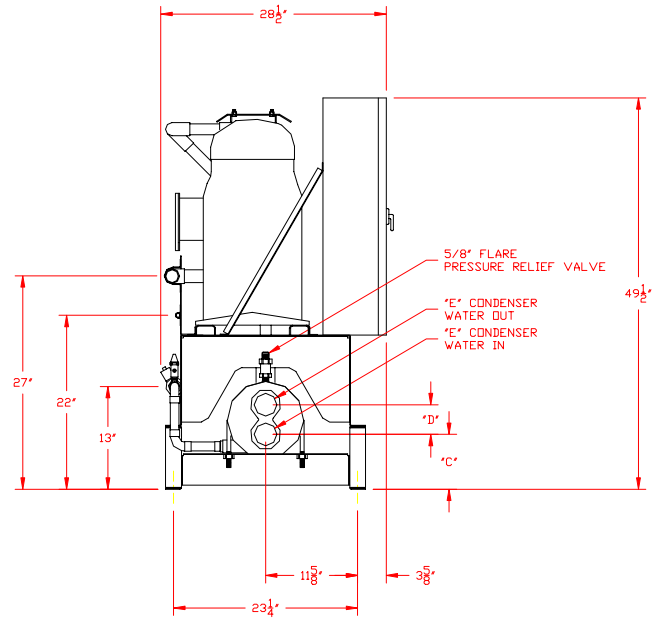
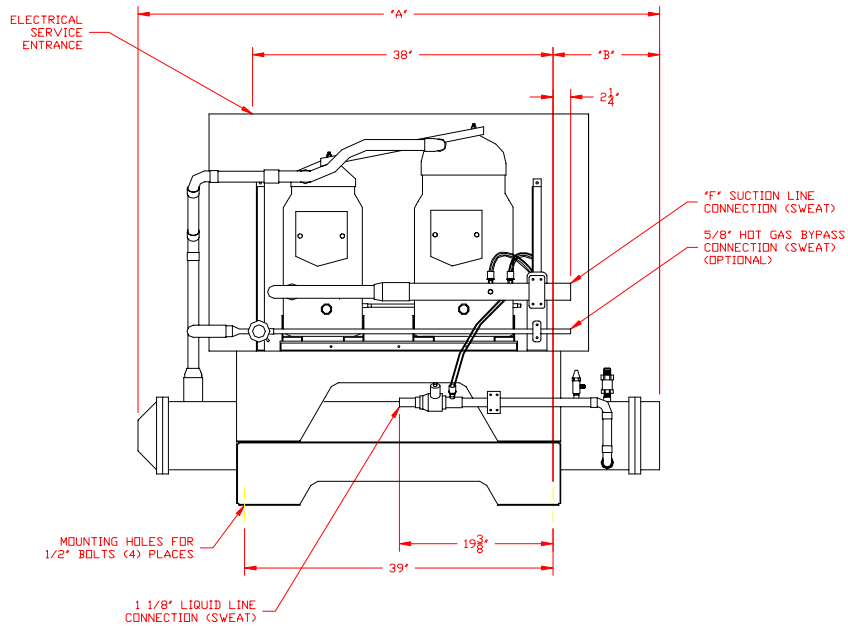


MODEL	PHYSICAL DATA						OPERATING WEIGHT	ELECTRICAL DATA - 208/230 VOLT, 3 ϕ , 60 HZ					ELECTRICAL DATA - 460 VOLT, 3 ϕ , 60HZ				
	"A"	"B"	"C"	"D"	"E"	"F"		COMPRESSOR RLA (EACH)	COMPRESSOR LRA (EACH)	MINIMUM CIRCUIT AMPACITY	MAXIMUM FUSE SIZE	RECOMMENDED TIME DELAY FUSE	COMPRESSOR RLA (EACH)	COMPRESSOR LRA (EACH)	MINIMUM CIRCUIT AMPACITY	MAXIMUM FUSE SIZE	RECOMMENDED TIME DELAY FUSE
SWU-20	64"	12 1/2"	6 3/8"	2 7/8"	2" FPT	1 5/8"	875 LBS.	43/43	251/251	95	125	110	19/19	117/117	42	60	50
SWU-25	64"	12 1/2"	6 3/8"	2 7/8"	2" FPT	2 1/8"	952 LBS.	43/63	251/376	120	175	150	19/28	117/178	53	80	60
SWU-30	66"	13 1/2"	7"	3 3/4"	2 1/2" FPT	2 1/8"	1124 LBS.	63/63	376/376	140	200	175	28/28	178/178	63	90	70



IMPORTANT
 The information contained hereon, which is the property of NAPPS INDUSTRIES, INC., must be maintained in strict confidence and no portion of this material may be reproduced or used for any purpose without the express written consent of NAPPS INDUSTRIES, INC.

ENGINEER'S SEAL	BY	DATE	REVISION	NAPPS INDUSTRIES, INC.			
				P.O. BOX 2546 - LONGVIEW, TEXAS 75806-2546			
				TRANE SCROLL COMPRESSOR UNIT			
				SCALE: 1/16" = 1"	DRAWN BY:	CHECKED BY:	APPROVED BY:
				DATE: 11/23/04			
				TITLE: INSTALLATION OUTLINE SWU-20, SWU-25 & SWU-30			DRAWING SIZE
				DRAWING NUMBER: NII-400-2740	REV: 00	SHEET NUMBER: 1 OF 1	NAPPS JOB NO.: 00000