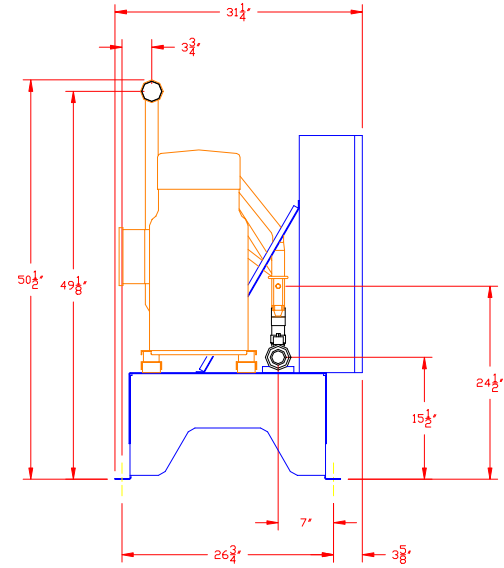
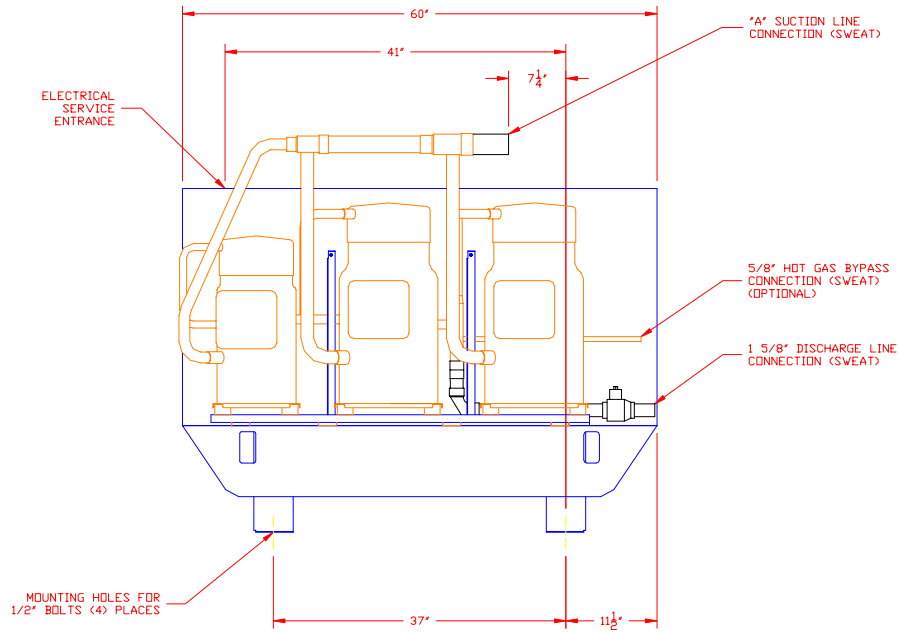


MODEL	PHYSICAL DATA		ELECTRICAL DATA - 208/230 VOLT, 3 $\phi$ , 60 HZ					ELECTRICAL DATA - 460 VOLT, 3 $\phi$ , 60HZ				
	"A"	OPERATING WEIGHT	COMPRESSOR RLA (EACH)	COMPRESSOR LRA (EACH)	MINIMUM CIRCUIT AMPACITY	MAXIMUM FUSE SIZE	RECOMMENDED TIME DELAY FUSE	COMPRESSOR RLA (EACH)	COMPRESSOR LRA (EACH)	MINIMUM CIRCUIT AMPACITY	MAXIMUM FUSE SIZE	RECOMMENDED TIME DELAY FUSE
SCU-35	2 1/8"	897 LBS.	43/43/63	251/251/376	163	225	175	19/19/28	117/117/178	72	100	80
SCU-40	2 5/8"	964 LBS.	43/63/63	251/376/376	183	225	200	19/28/28	117/178/178	81	110	90
SCU-45	2 5/8"	1031 LBS.	63/63/63	376/376/376	203	250	225	28/28/28	178/178/178	90	110	100



**IMPORTANT**

The information contained herein, which is the property of NAPPS INDUSTRIES, INC., must be maintained in strict confidence and no portion of this material may be reproduced or used for any purpose without the express written consent of NAPPS INDUSTRIES, INC.

ENGINEER'S SEAL		BY	DATE OF REV.	REVISION

<b>NAPPS INDUSTRIES, INC.</b>			
P.O. BOX 2546 - LONGVIEW, TEXAS 75606-2546			
<b>TRANE SCROLL COMPRESSOR UNIT</b>			
SCALE: 1/16" = 1"	DRAWN BY:	CHECKED BY:	APPROVED BY:
DATE: 11/23/04			
TITLE: INSTALLATION OUTLINE SCU-35, SCU-40 & SCU-45			DRAWING SIZE
DRAWING NUMBER: NII-400-2737	REV.: 00	SHEET NUMBER: 1 OF 1	NAPPS JOB NO.: 00000