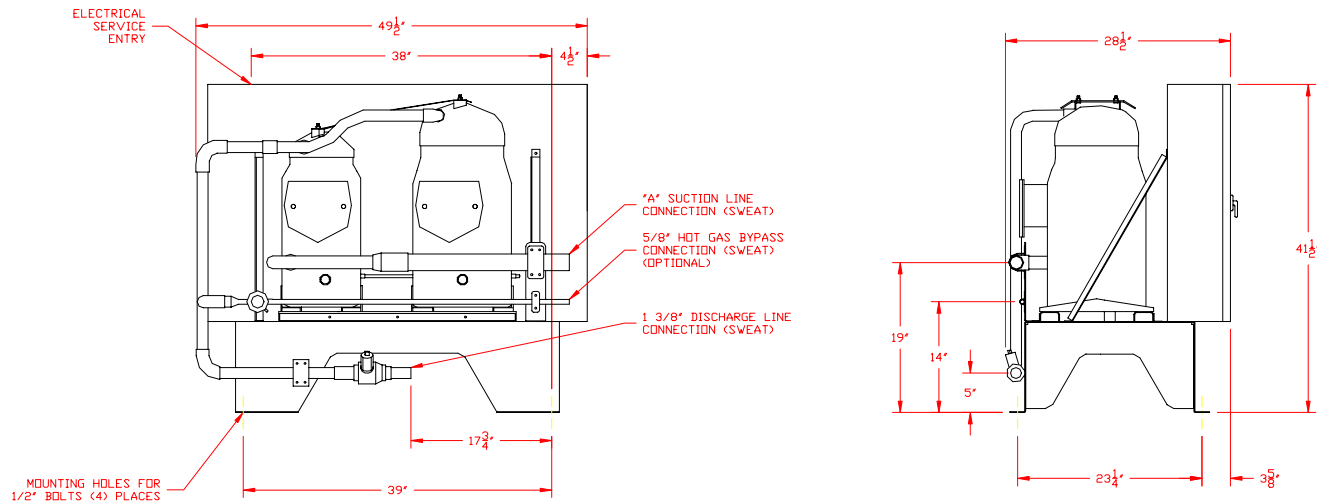


MODEL	PHYSICAL DATA		ELECTRICAL DATA - 208/230 VOLT, 3 $\phi$ , 60 HZ					ELECTRICAL DATA - 460 VOLT, 3 $\phi$ , 60HZ				
	"A"	OPERATING WEIGHT	COMPRESSOR RLA (EACH)	COMPRESSOR LRA (EACH)	MINIMUM CIRCUIT AMPACITY	MAXIMUM FUSE SIZE	RECOMMENDED TIME DELAY FUSE	COMPRESSOR RLA (EACH)	COMPRESSOR LRA (EACH)	MINIMUM CIRCUIT AMPACITY	MAXIMUM FUSE SIZE	RECOMMENDED TIME DELAY FUSE
SCU-20	1 5/8"	570 LBS.	43/43	251/251	95	125	110	19/19	117/117	42	60	50
SCU-25	2 1/8"	637 LBS.	43/63	251/376	120	175	150	19/28	117/178	53	80	60
SCU-30	2 1/8"	704 LBS.	63/63	376/376	140	200	175	28/28	178/178	63	90	70



**IMPORTANT**  
 The information contained hereon, which is the property of NAPPS INDUSTRIES, INC., must be maintained in strict confidence and no portion of this material may be reproduced or used for any purpose without the express written consent of NAPPS INDUSTRIES, INC.

ENGINEER'S SEAL	BY	DATE OF REV.	REVISION

**NAPPS INDUSTRIES, INC.**  
 P.O. BOX 2546 - LONGVIEW, TEXAS 75606-2546

**TRANE SCROLL COMPRESSOR UNIT**

SCALE: 1/16" = 1"	DRAWN BY:	CHECKED BY:	APPROVED BY:
DATE: 11/23/04			
TITLE: INSTALLATION OUTLINE SCU-20, SCU-25 & SCU-30			DRAWING SIZE
DRAWING NUMBER: NII-400-2736	REV.: 00	SHEET NUMBER: 1 OF 1	NAPPS JOB NO.: 00000