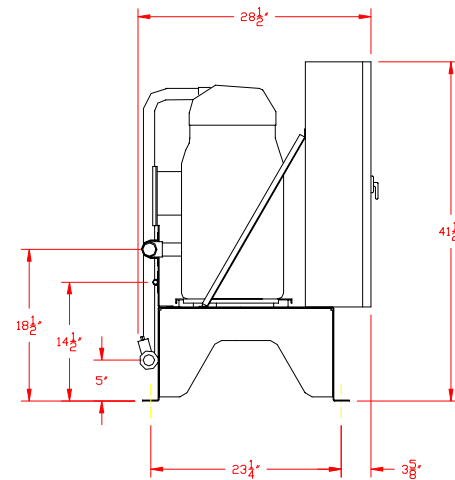
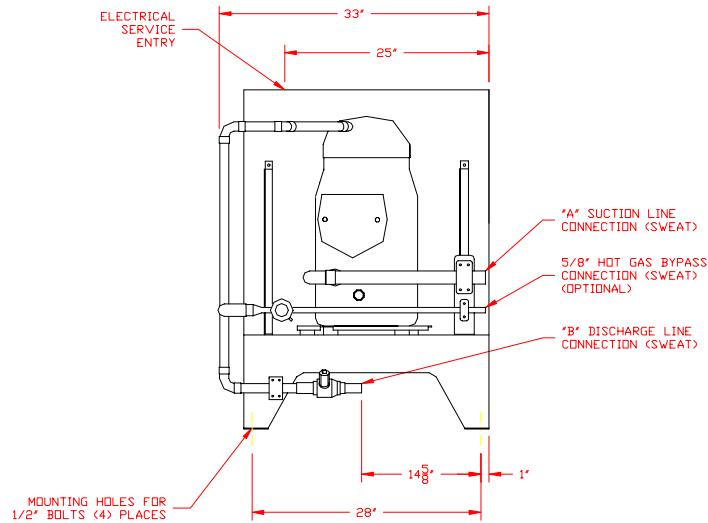


MODEL	PHYSICAL DATA			ELECTRICAL DATA - 208/230 VOLT, 3 ϕ , 60 HZ					ELECTRICAL DATA - 460 VOLT, 3 ϕ , 60HZ				
	"A"	"B"	OPERATING WEIGHT	COMPRESSOR RLA	COMPRESSOR LRA	MINIMUM CIRCUIT AMPACITY	MAXIMUM FUSE SIZE	RECOMMENDED TIME DELAY FUSE	COMPRESSOR RLA (EACH)	COMPRESSOR LRA (EACH)	MINIMUM CIRCUIT AMPACITY	MAXIMUM FUSE SIZE	RECOMMENDED TIME DELAY FUSE
SCU-10	1 3/8"	7/8"	360 LBS.	43	251	53	90	60	19	117	23	40	30
SCU-15	1 5/8"	1 1/8"	427 LBS.	63	376	78	125	90	28	178	35	60	40



IMPORTANT
 The information contained hereon, which is the property of NAPPS INDUSTRIES, INC., must be maintained in strict confidence and no portion of this material may be reproduced or used for any purpose without the express written consent of NAPPS INDUSTRIES, INC.

ENGINEER'S SEAL	BY	DATE	REV	REVISION

NAPPS INDUSTRIES, INC.			
P.O. BOX 2546 - LONGVIEW, TEXAS 75606-2546			
TRANE SCROLL COMPRESSOR UNIT			
SCALE: 1/16" = 1"	DRAWN BY:	CHECKED BY:	APPROVED BY:
DATE: 11/23/04			
TITLE: INSTALLATION OUTLINE SCU-10 & SCU-15			DRAWING SIZE
DRAWING NUMBER: NII-400-2735	REV.: 00	SHEET NUMBER: 1 OF 1	NAPPS JOB NO.: 00000